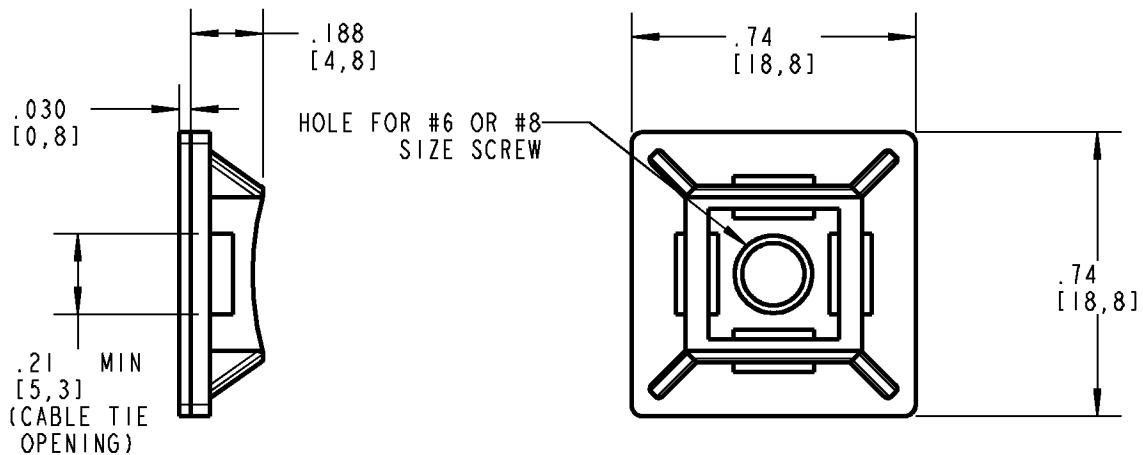




CABLE FASTENING ACCESSORIES



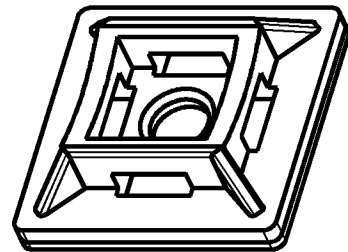
SPECIFICATIONS:

MATERIAL: NYLON

ADHESIVE: SYNTHETIC RUBBER

NOTES:

- APPLICATION TEMPERATURE: 65°F TO 120°F (18°C TO 49°C)
STORAGE/SERVICE TEMPERATURE: 32°F TO 158°F (0°C TO 70°C)
- SURFACE PREPARATION: SURFACE SHOULD BE CLEANED WITH ALCOHOL-BASED (IPA) CLEANER BEFORE APPLICATION.
- APPLY WITH PRESSURE AND HOLD FOR 5 SECONDS.
- USE WITHIN 30 SEC, ALLOW 15 MINUTES SET-UP FOR MAXIMUM PERFORMANCE ADHESION.
- EXPIRATION DATE INDICATED ON PACKAGING.



CAT. No.	MATERIAL	MOUNTING METHOD	COLOR
MPNY-750-9-*	NYLON NATURAL	SYNTHETIC RUBBER ADHESIVE	WHITE
MPNY-750-0-*	NYLON WEATHERABLE	SYNTHETIC RUBBER ADHESIVE	BLACK

* DENOTES PACK QTY. "C"= 100, "D"= 500

GENERAL NOTES		Thomas & Betts A Member of the ABB Group			
1. ALL DIMENSIONS ARE FOR REFERENCE ONLY. 2. DIMENSIONS IN BRACKETS [] ARE IN METRIC UNITS.					
REVISIONS		DESCRIPTION: 3/4" x 3/4" CABLE TIE MOUNTING BASE			
- SEE ERN (****) FOR APPROVAL SIGNATURES & RELEASE DATE. PROJECT NO: ****		ORIGINAL PROJECT NO / (ERN NO) 054P000575 / (2016272)	SHEET NO: 1 OF 1	REV. NO: -	DRAWING NO: WSD-001485